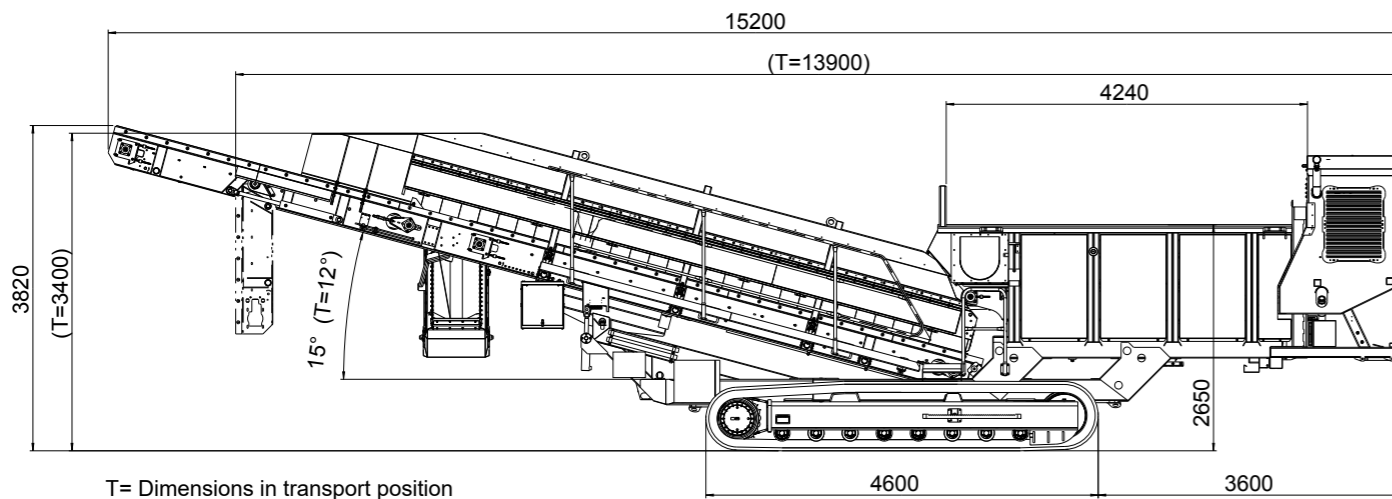
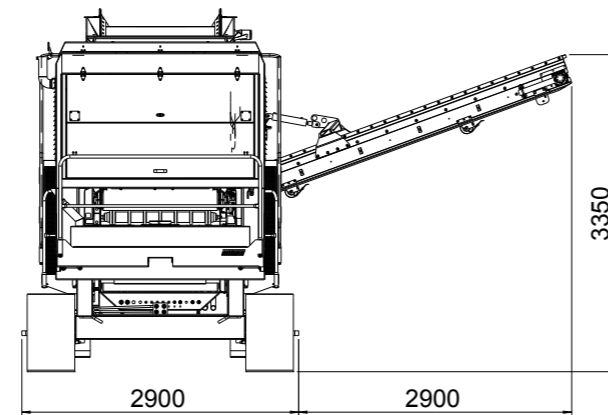


2 FRACTION STAR SCREEN SUPERSCREENER 2F TRACKED CHASSIS FRAME



STARS ON CHAINS

Supported by a strong tracked chassis frame, the 2F star screen crawler masters challenges in difficult terrain both safely and efficiently. Among its various fields of application in the field of waste management are biomass and soil treatment, tailored to the individual requirements of the user.



T= Dimensions in transport position

	Self-driving tracked chassis frame; two travel speeds	Self-driving tracked chassis frame; two travel speeds
Total weight	approx. 22,000 kg	approx. 22,000 kg
Drive	Hybrid	Diesel hydraulic
Output	Power unit 110 kVA Electrical motor 55 kW	Diesel engine 86 kW / 117 PS
Emission standard	In accordance with the latest emission standard	EU Stage V / EPA Tier 4 Final
Cubic capacity	4.5 litres	4.5 litres
Fuel tank	300 litres	300 litres
Hopper volume	up to 7.5 m ³	up to 7.5 m ³
Screen deck		
Width	1,250 mm	1,250 mm
Length	6,900 mm	6,900 mm
Fractions	10 - 200 mm	10 - 200 mm
Star size	300, 287, 230, 216 or 170 mm	300, 287, 230, 216 or 170 mm
Star speed	0 - 230 rpm, infinitely variable	0 - 230 rpm, infinitely variable

